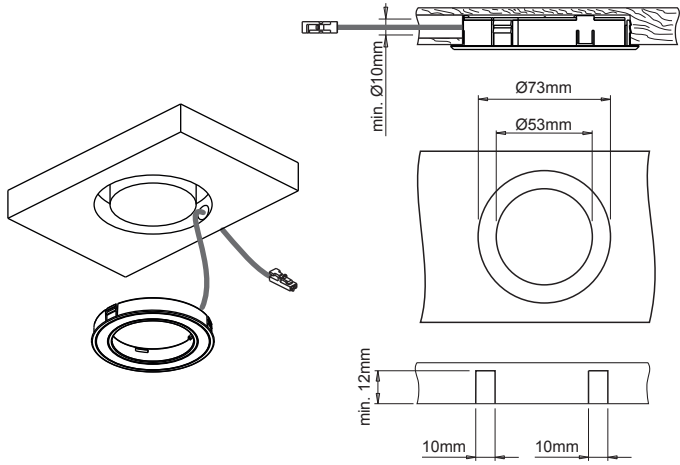
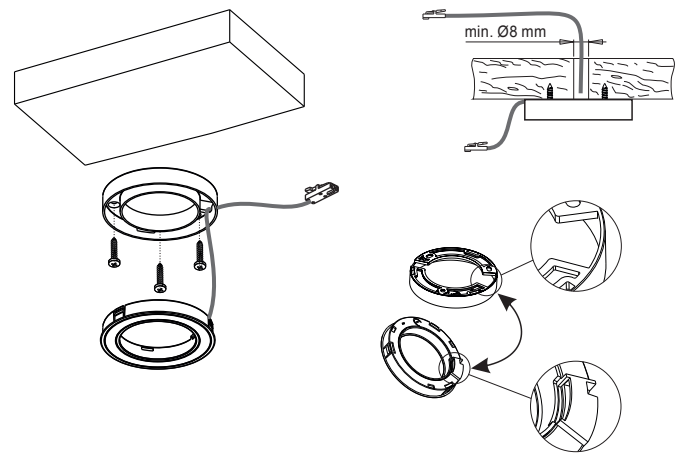




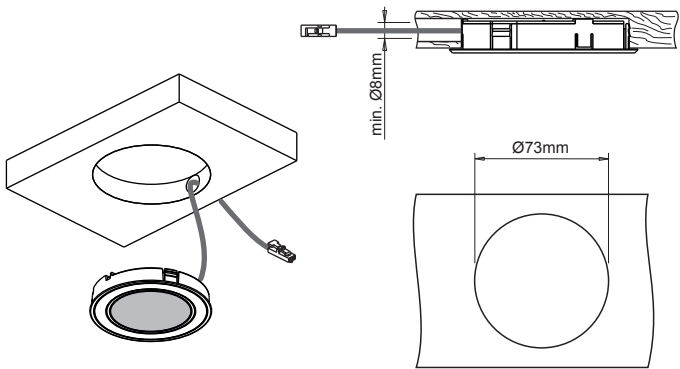
HOLL BH



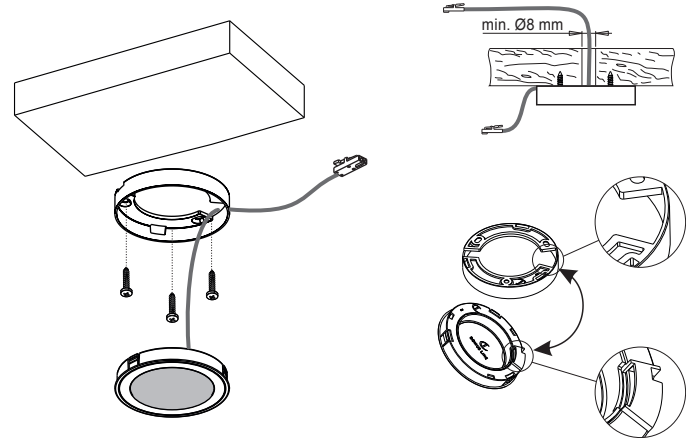
HOLL BH SP



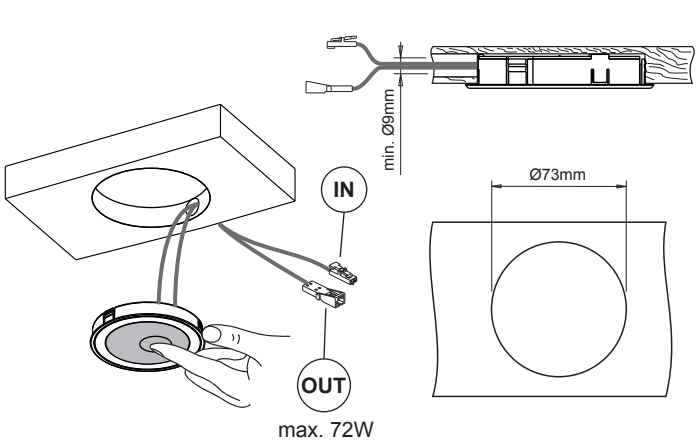
HOLL TH



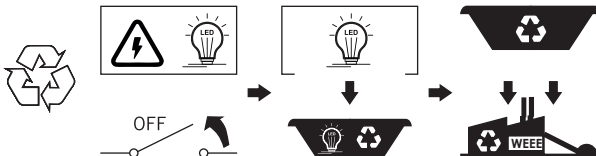
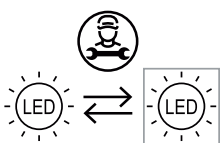
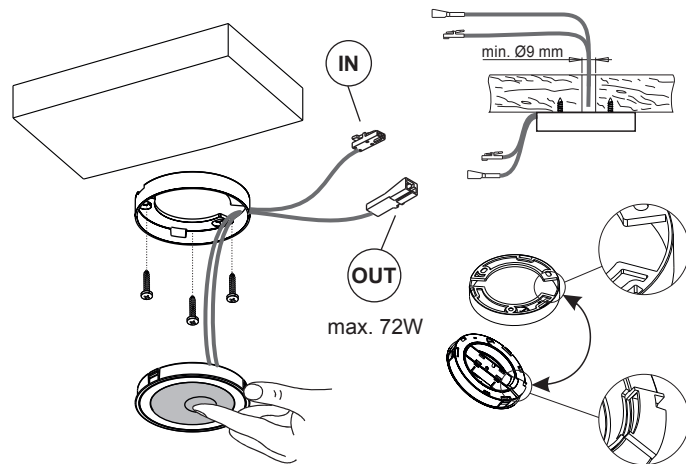
HOLL TH SP



HOLL TDM

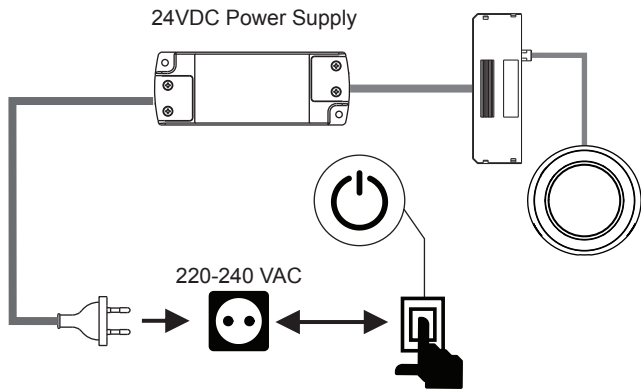


HOLL TDM SP

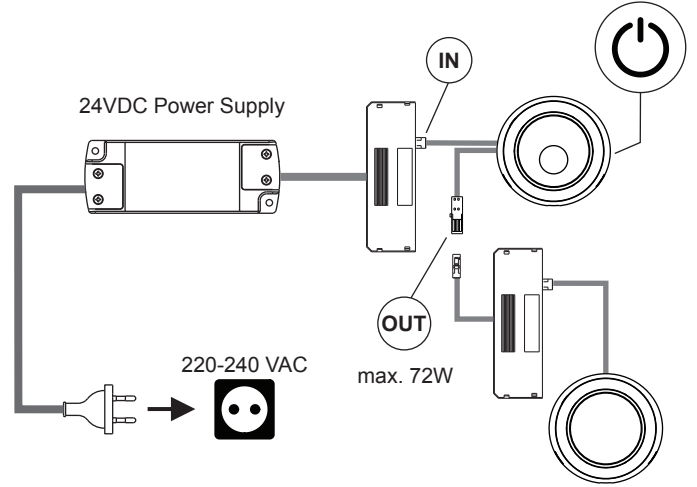




HOLL (BH - TH / SP)



HOLL TD M



HOLL TD M

